

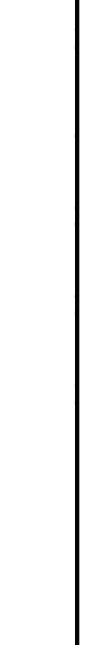
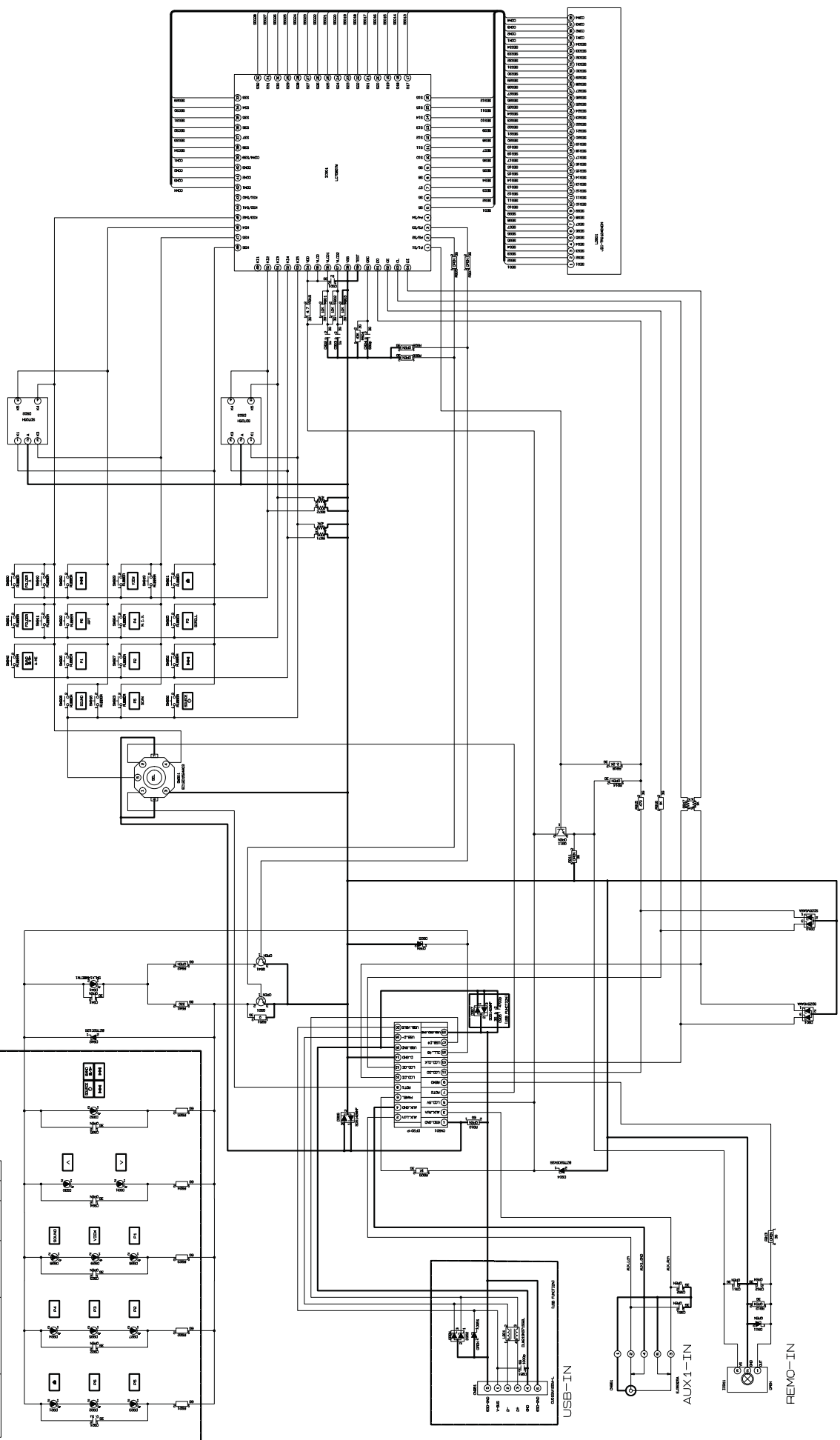
ALPINE SERVICE MANUAL

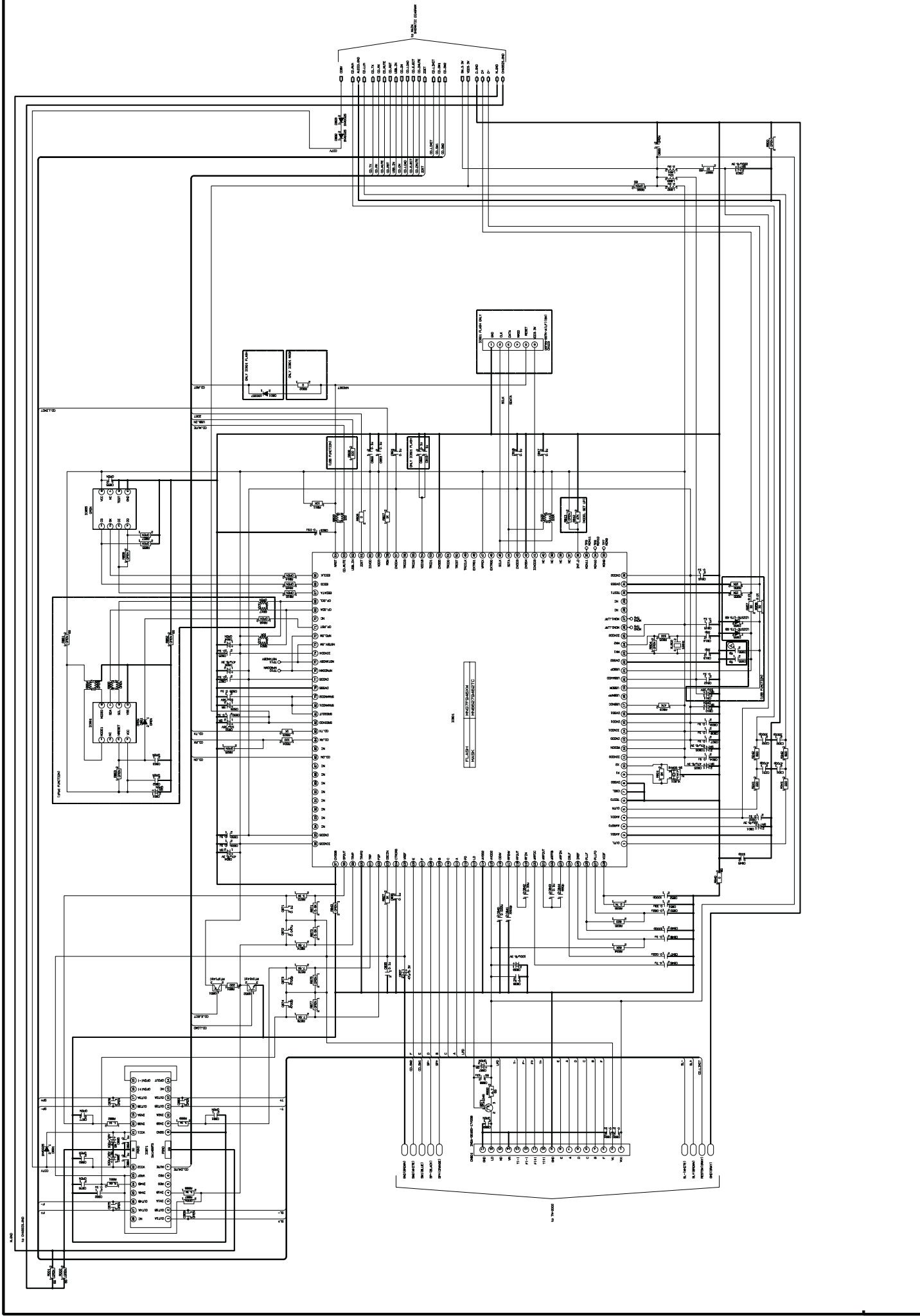
CD-RECEIVER



CDE-120R/RM/RR

CODE-1 (GEN)	CODE-2 (GEN)	CODE-3 (GEN)	CODE-4 (GEN)	CODE-5 (GEN)	CODE-6 (GEN)	CODE-7 (GEN)	CODE-8 (GEN)	CODE-9 (GEN)	CODE-10 (GEN)
SPK-1 (SPEAKER)	SPK-2 (SPEAKER)	SPK-3 (SPEAKER)	SPK-4 (SPEAKER)	SPK-5 (SPEAKER)	SPK-6 (SPEAKER)	SPK-7 (SPEAKER)	SPK-8 (SPEAKER)	SPK-9 (SPEAKER)	SPK-10 (SPEAKER)
AMP-1 (AMP)	AMP-2 (AMP)	AMP-3 (AMP)	AMP-4 (AMP)	AMP-5 (AMP)	AMP-6 (AMP)	AMP-7 (AMP)	AMP-8 (AMP)	AMP-9 (AMP)	AMP-10 (AMP)
SW-1 (SWITCH)	SW-2 (SWITCH)	SW-3 (SWITCH)	SW-4 (SWITCH)	SW-5 (SWITCH)	SW-6 (SWITCH)	SW-7 (SWITCH)	SW-8 (SWITCH)	SW-9 (SWITCH)	SW-10 (SWITCH)
RES-1 (RESISTOR)	RES-2 (RESISTOR)	RES-3 (RESISTOR)	RES-4 (RESISTOR)	RES-5 (RESISTOR)	RES-6 (RESISTOR)	RES-7 (RESISTOR)	RES-8 (RESISTOR)	RES-9 (RESISTOR)	RES-10 (RESISTOR)
LED-1 (LED)	LED-2 (LED)	LED-3 (LED)	LED-4 (LED)	LED-5 (LED)	LED-6 (LED)	LED-7 (LED)	LED-8 (LED)	LED-9 (LED)	LED-10 (LED)
DIODE-1 (DIODE)	DIODE-2 (DIODE)	DIODE-3 (DIODE)	DIODE-4 (DIODE)	DIODE-5 (DIODE)	DIODE-6 (DIODE)	DIODE-7 (DIODE)	DIODE-8 (DIODE)	DIODE-9 (DIODE)	DIODE-10 (DIODE)
TR-1 (TRANSISTOR)	TR-2 (TRANSISTOR)	TR-3 (TRANSISTOR)	TR-4 (TRANSISTOR)	TR-5 (TRANSISTOR)	TR-6 (TRANSISTOR)	TR-7 (TRANSISTOR)	TR-8 (TRANSISTOR)	TR-9 (TRANSISTOR)	TR-10 (TRANSISTOR)
IC-1 (IC)	IC-2 (IC)	IC-3 (IC)	IC-4 (IC)	IC-5 (IC)	IC-6 (IC)	IC-7 (IC)	IC-8 (IC)	IC-9 (IC)	IC-10 (IC)
OP-AMP-1 (OP-AMP)	OP-AMP-2 (OP-AMP)	OP-AMP-3 (OP-AMP)	OP-AMP-4 (OP-AMP)	OP-AMP-5 (OP-AMP)	OP-AMP-6 (OP-AMP)	OP-AMP-7 (OP-AMP)	OP-AMP-8 (OP-AMP)	OP-AMP-9 (OP-AMP)	OP-AMP-10 (OP-AMP)
RELAY-1 (RELAY)	RELAY-2 (RELAY)	RELAY-3 (RELAY)	RELAY-4 (RELAY)	RELAY-5 (RELAY)	RELAY-6 (RELAY)	RELAY-7 (RELAY)	RELAY-8 (RELAY)	RELAY-9 (RELAY)	RELAY-10 (RELAY)
DIODE-11 (DIODE)	DIODE-12 (DIODE)	DIODE-13 (DIODE)	DIODE-14 (DIODE)	DIODE-15 (DIODE)	DIODE-16 (DIODE)	DIODE-17 (DIODE)	DIODE-18 (DIODE)	DIODE-19 (DIODE)	DIODE-20 (DIODE)
TR-11 (TRANSISTOR)	TR-12 (TRANSISTOR)	TR-13 (TRANSISTOR)	TR-14 (TRANSISTOR)	TR-15 (TRANSISTOR)	TR-16 (TRANSISTOR)	TR-17 (TRANSISTOR)	TR-18 (TRANSISTOR)	TR-19 (TRANSISTOR)	TR-20 (TRANSISTOR)
IC-11 (IC)	IC-12 (IC)	IC-13 (IC)	IC-14 (IC)	IC-15 (IC)	IC-16 (IC)	IC-17 (IC)	IC-18 (IC)	IC-19 (IC)	IC-20 (IC)
OP-AMP-11 (OP-AMP)	OP-AMP-12 (OP-AMP)	OP-AMP-13 (OP-AMP)	OP-AMP-14 (OP-AMP)	OP-AMP-15 (OP-AMP)	OP-AMP-16 (OP-AMP)	OP-AMP-17 (OP-AMP)	OP-AMP-18 (OP-AMP)	OP-AMP-19 (OP-AMP)	OP-AMP-20 (OP-AMP)
RELAY-11 (RELAY)	RELAY-12 (RELAY)	RELAY-13 (RELAY)	RELAY-14 (RELAY)	RELAY-15 (RELAY)	RELAY-16 (RELAY)	RELAY-17 (RELAY)	RELAY-18 (RELAY)	RELAY-19 (RELAY)	RELAY-20 (RELAY)
DIODE-21 (DIODE)	DIODE-22 (DIODE)	DIODE-23 (DIODE)	DIODE-24 (DIODE)	DIODE-25 (DIODE)	DIODE-26 (DIODE)	DIODE-27 (DIODE)	DIODE-28 (DIODE)	DIODE-29 (DIODE)	DIODE-30 (DIODE)
TR-21 (TRANSISTOR)	TR-22 (TRANSISTOR)	TR-23 (TRANSISTOR)	TR-24 (TRANSISTOR)	TR-25 (TRANSISTOR)	TR-26 (TRANSISTOR)	TR-27 (TRANSISTOR)	TR-28 (TRANSISTOR)	TR-29 (TRANSISTOR)	TR-30 (TRANSISTOR)
IC-21 (IC)	IC-22 (IC)	IC-23 (IC)	IC-24 (IC)	IC-25 (IC)	IC-26 (IC)	IC-27 (IC)	IC-28 (IC)	IC-29 (IC)	IC-30 (IC)
OP-AMP-21 (OP-AMP)	OP-AMP-22 (OP-AMP)	OP-AMP-23 (OP-AMP)	OP-AMP-24 (OP-AMP)	OP-AMP-25 (OP-AMP)	OP-AMP-26 (OP-AMP)	OP-AMP-27 (OP-AMP)	OP-AMP-28 (OP-AMP)	OP-AMP-29 (OP-AMP)	OP-AMP-30 (OP-AMP)
RELAY-21 (RELAY)	RELAY-22 (RELAY)	RELAY-23 (RELAY)	RELAY-24 (RELAY)	RELAY-25 (RELAY)	RELAY-26 (RELAY)	RELAY-27 (RELAY)	RELAY-28 (RELAY)	RELAY-29 (RELAY)	RELAY-30 (RELAY)





Main PCB

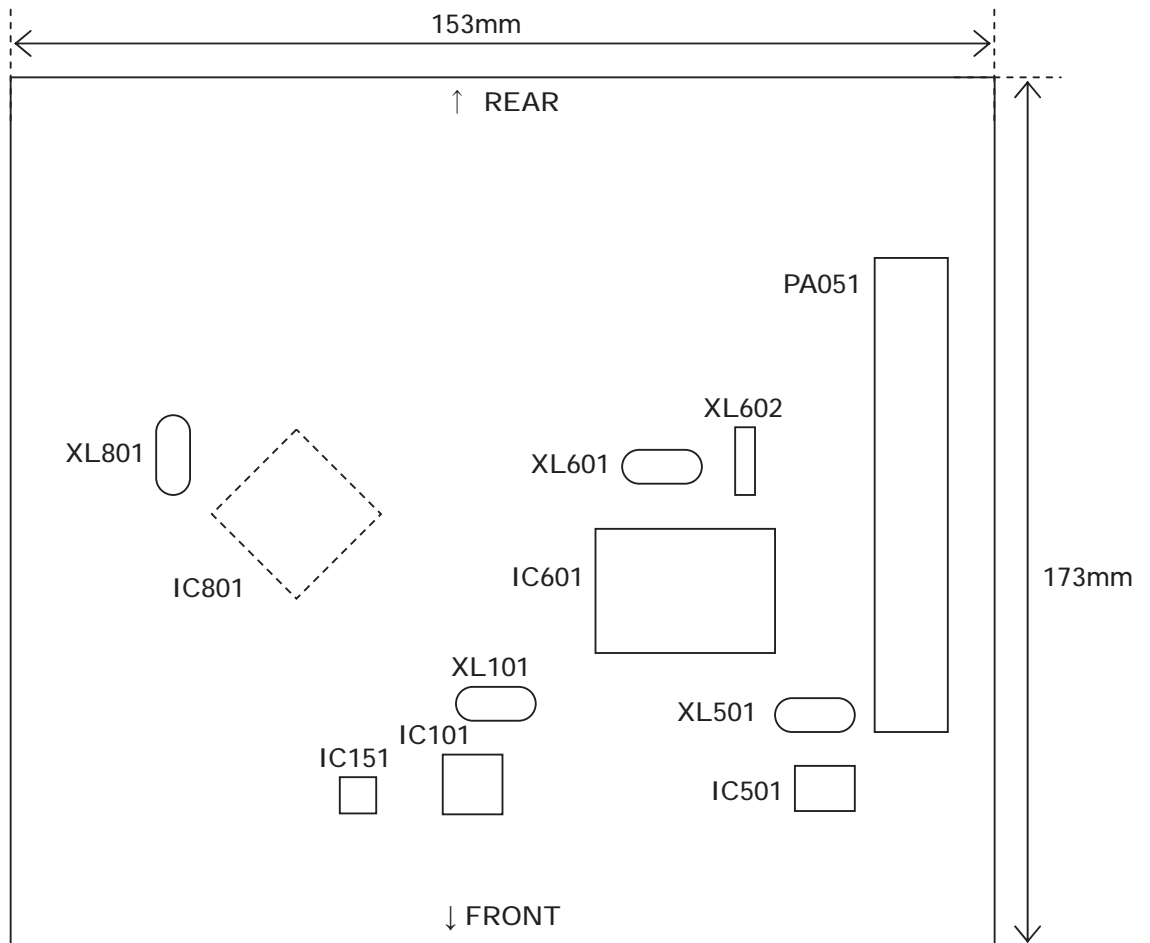
No.	PARTS NAME	MANUFACTURE	PARTS NUMBER	QUANTITY	NOTE
1	USB MEDIA μ-COM	SANYO	IC101	1	
2	iPod Authentication IC	AVNET	IC151	1	
3	RDS IC	ST	IC501	1	
4	MAIN μ-COM	SANYO	IC601	1	
5	CD-DSP	SANYO	IC801	1	
6	Crystal Oscillator	JIAN SAN	XL101	1	
7	Crystal Oscillator	JIAN SAN	XL501	1	
8	Crystal Oscillator	JIAN SAN	XL601	1	
9	Crystal Oscillator	CITIZEN	XL602	1	
10	Ceramic Resonator	TOKO	XL801	1	
11	TUNER	MITSUMI	PA051	1	

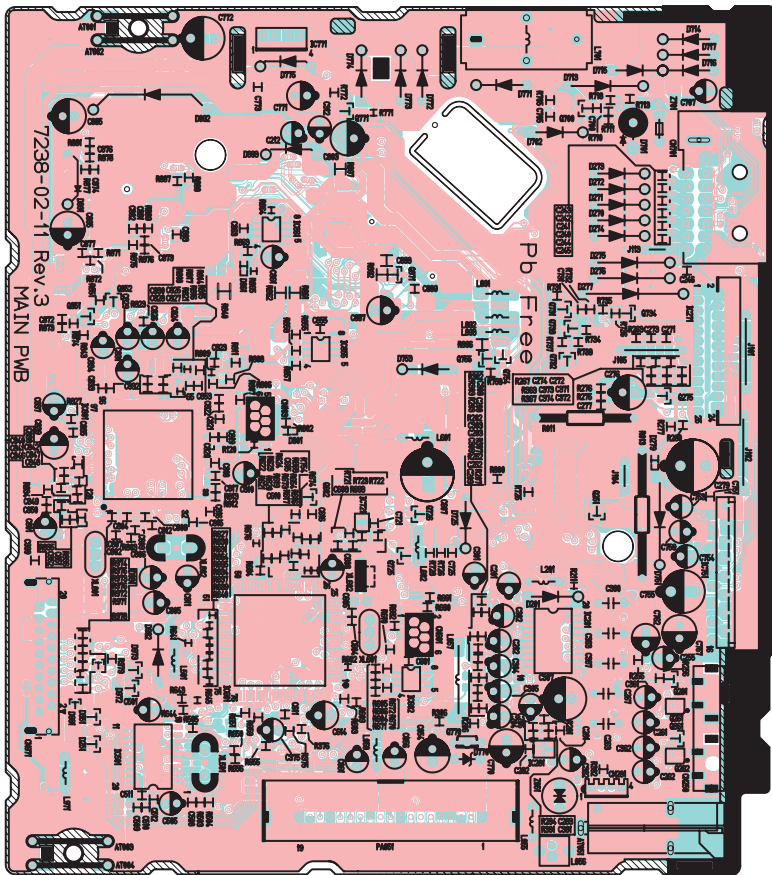
(SOURCES OF ININTERFERENCE COMPONENTS LOCATION)

UPPER SIDE OF PCB

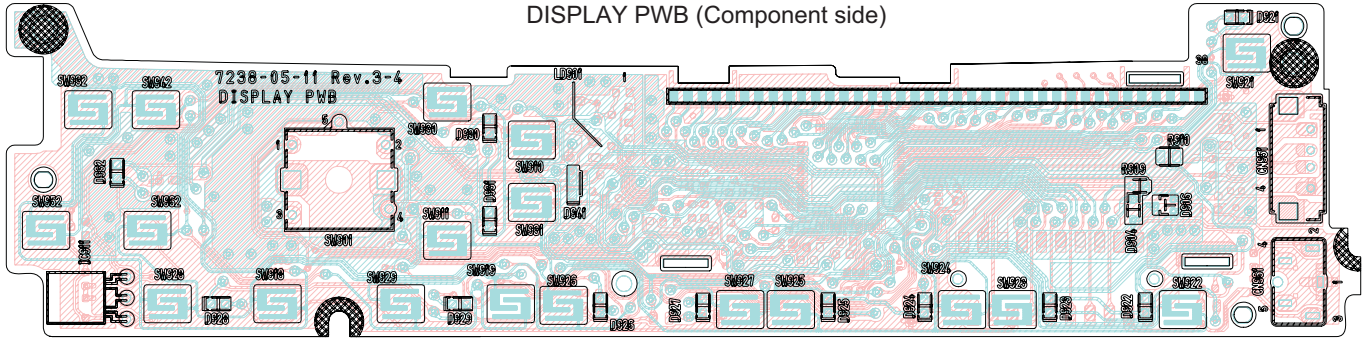
MAIN PCB (Parts Side View)

※IC801 is reverse side

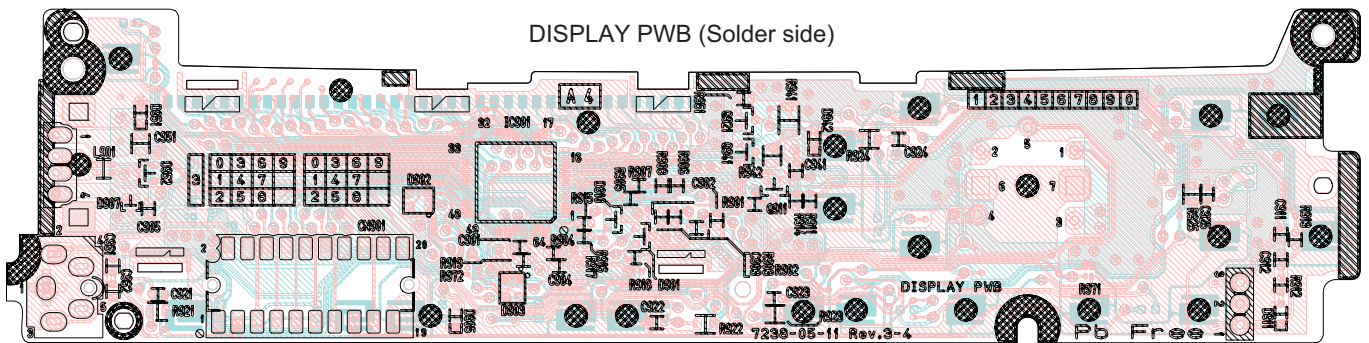




DISPLAY PWB (Component side)



DISPLAY PWB (Solder side)



These parts have been selected by AOEU Service as must be available parts from EPC

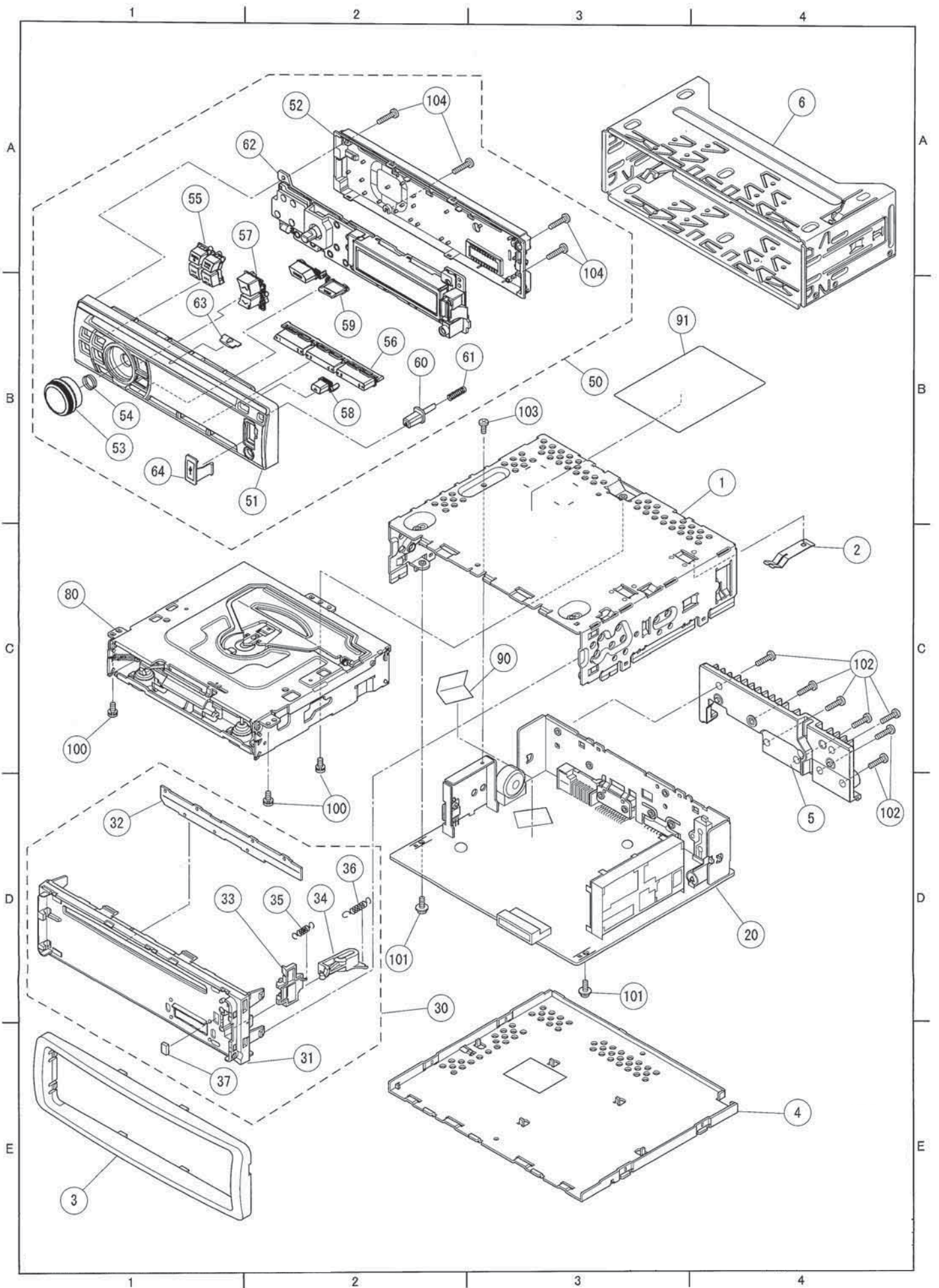
Only parts as shown on this page can be ordered from EPC!!!

POSITION Nr:	PART Nr:	DESCRIPTION
Not Known	6899-12-61	Power Supply Cord
Not Known	7210-01-15	Mount Frame (Inner Case)
Not Known	7236-07-301	Carrying Case Assy
Not Known	7210-07-01	Removal Key
3	7236-01-01	Face Plate
30	7233-03-302	Front Escutcheon Assy
50	7238-04-301	Panel Assy 120R (Nose Unit)
50	7238-04-302	Panel Assy 120RM (Nose Unit)
50	7238-04-303	Panel Assy 120RR (Nose Unit)
53	7236-04-05	Knob Rotary
54	7201-04-71	Knob Spring
80	TN-2002-1005	CD Mechanism
Not Known	6905-16-01	Laser (Pick-up)
62	7238-05-301	Front PWB Assy
62	7238-05-302	Front PWB Assy
62	7238-05-303	Front PWB Assy
SW901	EC12D1524403	Rotary Encoder
D921 - D931	SML-D12P8WT86	LEDs(Green)
D932	KLB-16G	LED(Green)
D921 - D932	SML-D12D8WT86	LEDs(Amber)
D921 - D932	SML-D12V8WT86S	LEDs(Red)
CN901	DF20-P	Connector
CN951	CU01SAV1S0A-L	Connector USB
IC901	LC75857W-UMSE	Display Controller IC
LD901	JIC-TR012424DN	Display
IC801	MN66279462TC	CD DSP
PA051	MX-E210-80-2290	Tuner MX-E210
CN971	DF20-S	Connector
IC201	TDA7418TR	TDA7418TA
IC271	LV47002P-E	LV47002
IC751	AN34001A-LC	AN34001A
IC601	MNBE16YTAUB	Controller IC601
IC501	SAA6588T-V2H518	SAA6588T

If you require any parts other than the ones listed on this page we will of course try our best to obtain them for you, requests should Only directed to AOEU Service on this e-mail address:

service-europe@alpine.de

but please note that if we manage to obtain the requested parts delivery could take sometime, the above list will be monitored and parts will be added as and when required.



MAIN PWB ASSY PARTS LIST

PARTS NO.	PARTS NAME	QTY	PLACEMENT NUMBER	MAKER
SAA6588T/V2H,518	RDS IC	1	IC501	VITEC HK
AN34001A LC	9 OUTPUT LINEAR VOLTAGE REGULATOR	1	IC751	PANASONIC (H.K.)
LV47002P E	POWER IC	1	IC271	SANYO SEMICONDUCTOR(H.K.)
S 80828CLNB B6N G	RESET IC	1	IC721	KTL HK
SA1469TS	MOTOR DRIVER	1	IC871	WLIC
SA78RL05F	5V REGURATOR	1	IC771	WLIC
TDA7418TR	ELECTRIC VOLUME IC	1	IC201	PTT(S&D HONG KONG)COMPANY LIMITED
TC7S66FU	ANALOG SWITCH IC	1	IC531	TOSHIBA ELEC ASIA
CM105X5R225K10AT	CAPACITOR(CERAMIC)	2	C608,C773	KYOCERA ASIA
CM105X5R475M06AT	CAPACITOR(CERAMIC)	1	C846	KYOCERA ASIA
JMK212BJ106MGFT	CAPACITOR(CERAMIC)	1	C888	FUJIDEN (T/T30 USD)
0603B101K500CT	CAPACITOR(CERAMIC)	3	C725,C775,C845	WALSIN TECHNOLOGY
0603B102K500CT	CAPACITOR(CERAMIC)	3	C849,C852,C617	WALSIN TECHNOLOGY
0603B103K500CT	CAPACITOR(CERAMIC)	1	C823	WALSIN TECHNOLOGY
0603B104K160CT	CAPACITOR(CERAMIC)	39	C207,C502,C503,C531,C604,C605,C610,C611,C613,C751,C752,C802,C804,C807,C808,C809,C812,C815,C816,C817,C818,C821,C822,C825,C827,C828,C830,C832,C833,C835,C836,C838,C843,C848,C853,C871,C882,C890,C891	WALSIN TECHNOLOGY
0603B152K500CT	CAPACITOR(CERAMIC)	1	C999	WALSIN TECHNOLOGY
0603B153K500CT	CAPACITOR(CERAMIC)	1	C705	WALSIN TECHNOLOGY
0603B222K500CT	CAPACITOR(CERAMIC)	2	C508,C510	WALSIN TECHNOLOGY
0603B223K250CT	CAPACITOR(CERAMIC)	4	C055,C504,C840,C847	WALSIN TECHNOLOGY
0603B331K500CT	CAPACITOR(CERAMIC)	1	C512	WALSIN TECHNOLOGY
0603B332K500CT	CAPACITOR(CERAMIC)	3	C232,C332,C841	WALSIN TECHNOLOGY
0603B334K100CT	CAPACITOR(CERAMIC)	2	C842,C851	WALSIN TECHNOLOGY
0603B471K500CT	CAPACITOR(CERAMIC)	2	C208,C308	WALSIN TECHNOLOGY
0603B472K500CT	CAPACITOR(CERAMIC)	5	C231,C252,C331,C873,C874	WALSIN TECHNOLOGY
0603B473K250CT	CAPACITOR(CERAMIC)	1	C872	WALSIN TECHNOLOGY
0603B561K500CT	CAPACITOR(CERAMIC)	1	C511	WALSIN TECHNOLOGY
0603B681K500CT	CAPACITOR(CERAMIC)	1	C844	WALSIN TECHNOLOGY
0603B823K160CT	CAPACITOR(CERAMIC)	1	C850	WALSIN TECHNOLOGY
0603N180J500LT	CAPACITOR(CERAMIC)	3	C053,C602,C603	WALSIN TECHNOLOGY
0603N270J500LT	CAPACITOR(CERAMIC)	2	C506,C507	WALSIN TECHNOLOGY
0603N330J500LT	CAPACITOR(CERAMIC)	3	C052,C813,C814	WALSIN TECHNOLOGY
0603N560J500LT	CAPACITOR(CERAMIC)	1	C051	WALSIN TECHNOLOGY
0603N5R0C500LT	CAPACITOR(CERAMIC)	2	C955,C956	WALSIN TECHNOLOGY
0603X105K100CT	CAPACITOR(CERAMIC)	3	C277,C884,C894	WALSIN TECHNOLOGY
0805B104K500CT	CAPACITOR(CERAMIC)	1	C378	WALSIN TECHNOLOGY
UMA0J100MCD2TP	CAPACITOR(CHEMICAL)	1	C606	NICHICON (H.K.)
UMA1A221MDD1TP	CAPACITOR(CHEMICAL)	1	C307	NICHICON (H.K.)
URS0J102MND1TD	CAPACITOR(CHEMICAL)	1	C607	NICHICON (H.K.)
USR0J101MDD1TP	CAPACITOR(CHEMICAL)	2	C614,C839	NICHICON (H.K.)
USR0J220MDD1TP	CAPACITOR(CHEMICAL)	2	C501,C801	NICHICON (H.K.)
USR0J221MDD1TP	CAPACITOR(CHEMICAL)	1	C803	NICHICON (H.K.)
USR0J470MDD1TP	CAPACITOR(CHEMICAL)	5	C805,C806,C826,C834,C837	NICHICON (H.K.)
USR1C100MDD1TP	CAPACITOR(CHEMICAL)	7	C056,C205,C212,C312,C811,C829,C831	NICHICON (H.K.)

MAIN PWB ASSY PARTS LIST

PARTS NO.	PARTS NAME	QTY	PLACEMENT NUMBER	MAKER
USR1C101MDD1TP	CAPACITOR(CHEMICAL)	3	C054,C885,C895	NICHICON (H.K.)
USR1H2R2MDD1TP	CAPACITOR(CHEMICAL)	2	C255,C505	NICHICON (H.K.)
USR1H4R7MDD1TP	CAPACITOR(CHEMICAL)	6	C061,C202,C204,C302,C304, C305	NICHICON (H.K.)
USR1HR33MDD1TP	CAPACITOR(CHEMICAL)	2	C201,C301	NICHICON (H.K.)
UST0J220MDD1TP	CAPACITOR(CHEMICAL)	2	C753,C759	NICHICON (H.K.)
UST1C100MDD1TP	CAPACITOR(CHEMICAL)	2	C375,C754	NICHICON (H.K.)
UST1C470MDD1TP	CAPACITOR(CHEMICAL)	1	C276	NICHICON (H.K.)
10ZLH 470 M EFC T1 6.3*11	CAPACITOR(CHEMICAL)	1	C757	RUBYCON HK
16PX 2200 M EFC T8 10*20	CAPACITOR(CHEMICAL)	1	C279	RUBYCON HK
16PX 470 M EFC TA 8*11.5	CAPACITOR(CHEMICAL)	1	C755	RUBYCON HK
16WXA 470 M EFC TA 8*9	CAPACITOR(CHEMICAL)	1	C772	RUBYCON HK
16ZL 33 M EFC T5 5*7	CAPACITOR(CHEMICAL)	1	C762	RUBYCON HK
25 TWL 4R7 M EFC T5 4*7	CAPACITOR(CHEMICAL)	2	C262,C362	RUBYCON HK
6.3ZL 68 M EFC T5 5*7	CAPACITOR(CHEMICAL)	1	C771	RUBYCON HK
ECQV1H394JL2	CAPACITOR(FILM)	5	C263,C267,C363,C367,C390	PANASONIC (H.K.)
RD50T5000J	RESISTOR	2	R011,R013	TAI
WR06X000 PTL	RESISTOR	7	R053,R056,R655,R658,R722, R802,R806	WALSIN TECHNOLOGY
WR06X100 JTL	RESISTOR	1	R510	WALSIN TECHNOLOGY
WR06X101 JTL	RESISTOR	8	R252,R637,R650,R656,R659, R805,R808,R824	WALSIN TECHNOLOGY
WR06X102 JTL	RESISTOR	23	R263,R267,R275,R280,R363, R367,R504,R505,R607,R626, R631,R639,R643,R654,R657, R684,R718,R721,R807,R823, R827,R975,R978	WALSIN TECHNOLOGY
WR06X103 JTL	RESISTOR	7	R203,R266,R303,R366,R375, R610,R811	WALSIN TECHNOLOGY
WR06X104 JTL	RESISTOR	3	R612,R662,R663	WALSIN TECHNOLOGY
WR06X105 JTL	RESISTOR	2	R737,R801	WALSIN TECHNOLOGY
WR06X112 JTL	RESISTOR	1	R882	WALSIN TECHNOLOGY
WR06X153 JTL	RESISTOR	2	R955,R956	WALSIN TECHNOLOGY
WR06X1603FTL	RESISTOR	1	R725	WALSIN TECHNOLOGY
WR06X183 JTL	RESISTOR	1	R733	WALSIN TECHNOLOGY
WR06X184 JTL	RESISTOR	2	R979,R981	WALSIN TECHNOLOGY
WR06X201 JTL	RESISTOR	1	R758	WALSIN TECHNOLOGY
WR06X221 JTL	RESISTOR	11	R057,R058,R241,R262,R341, R362,R506,R507,R851,R974, R976	WALSIN TECHNOLOGY
WR06X223 JTL	RESISTOR	2	R713,R756	WALSIN TECHNOLOGY
WR06X224 JTL	RESISTOR	1	R618	WALSIN TECHNOLOGY
WR06X271 JTL	RESISTOR	1	R255	WALSIN TECHNOLOGY
WR06X272 JTL	RESISTOR	3	R202,R302,R836	WALSIN TECHNOLOGY
WR06X30R0FTL	RESISTOR	2	R957,R958	WALSIN TECHNOLOGY
WR06X3302FTL	RESISTOR	1	R754	WALSIN TECHNOLOGY
WR06X332 JTL	RESISTOR	3	R872,R888,R889	WALSIN TECHNOLOGY
WR06X333 JTL	RESISTOR	2	R054,R531	WALSIN TECHNOLOGY
WR06X3602FTL	RESISTOR	1	R732	WALSIN TECHNOLOGY
WR06X394 JTL	RESISTOR	1	R983	WALSIN TECHNOLOGY
WR06X430 JTL	RESISTOR	1	R376	WALSIN TECHNOLOGY
WR06X471 JTL	RESISTOR	2	R644,R973	WALSIN TECHNOLOGY

MAIN PWB ASSY PARTS LIST

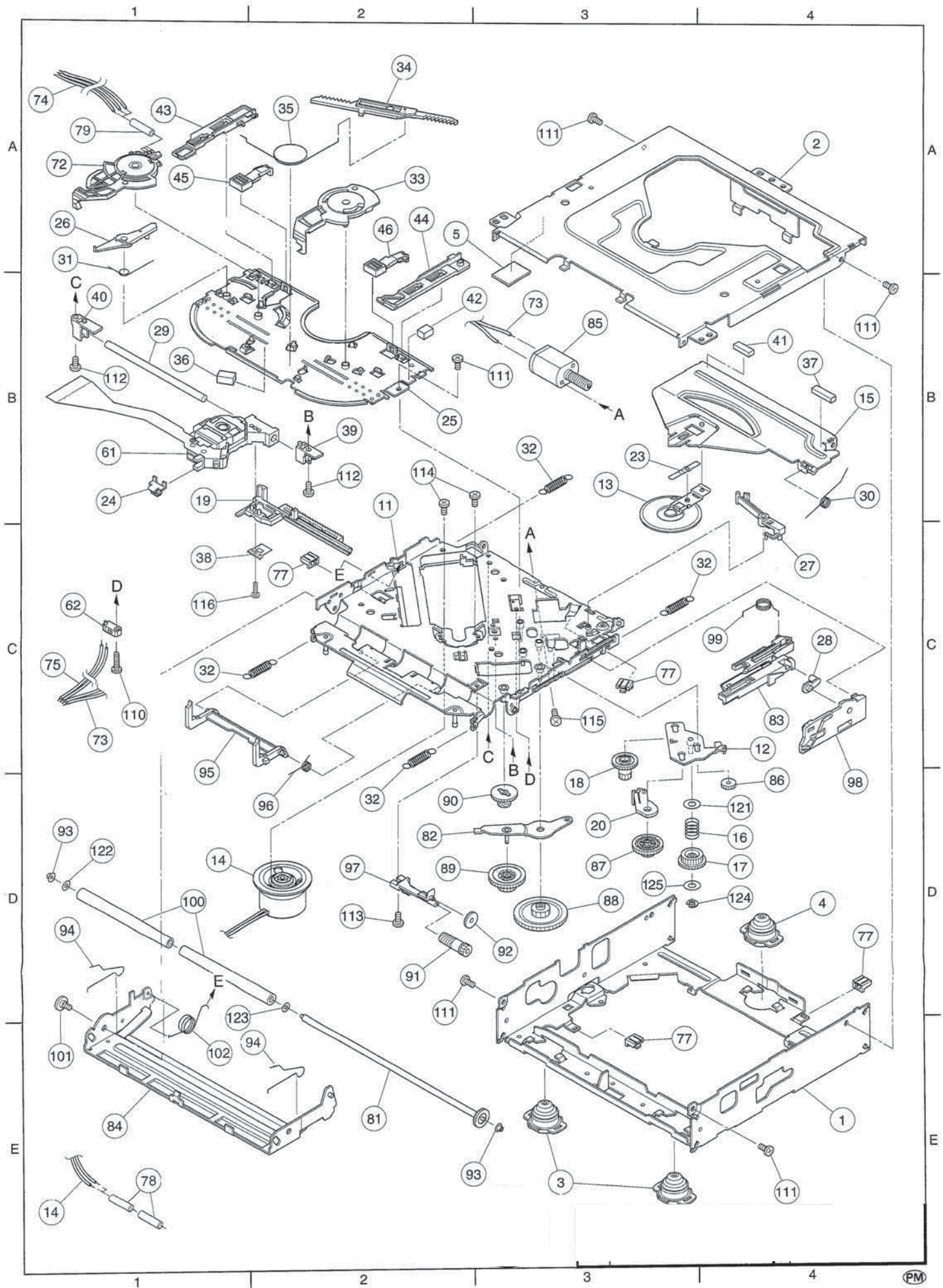
PARTS NO.	PARTS NAME	QTY	PLACEMENT NUMBER	MAKER
WR06X473 JTL	RESISTOR	11	R073,R074,R613,R619,R622, R623,R628,R638,R734,R803, R812	WALSIN TECHNOLOGY
WR06X474 JTL	RESISTOR	1	R503	WALSIN TECHNOLOGY
WR06X4R3 JTL	RESISTOR	1	R377	WALSIN TECHNOLOGY
WR06X5102FTL	RESISTOR	1	R668	WALSIN TECHNOLOGY
WR06X752 JTL	RESISTOR	3	R874,R876,R878	WALSIN TECHNOLOGY
WR06X754 JTL	RESISTOR	1	R728	WALSIN TECHNOLOGY
WR06X8202FTL	RESISTOR	1	R731	WALSIN TECHNOLOGY
WR06X821 JTL	RESISTOR	3	R242,R342,R835	WALSIN TECHNOLOGY
WR06X822 JTL	RESISTOR	2	R207,R307	WALSIN TECHNOLOGY
WR06X823 JTL	RESISTOR	1	R834	WALSIN TECHNOLOGY
WR06X9101FTL	RESISTOR	1	R705	WALSIN TECHNOLOGY
WR06X9102FTL	RESISTOR	1	R726	WALSIN TECHNOLOGY
WR08X000 PTL	RESISTOR	1	R521	WALSIN TECHNOLOGY
WR08X100 JTL	RESISTOR	1	R897	WALSIN TECHNOLOGY
WR08X101 JTL	RESISTOR	2	R291,R391	WALSIN TECHNOLOGY
WR08X4R7 JTL	RESISTOR	2	R068,R892	WALSIN TECHNOLOGY
WR08X753 JTL	RESISTOR	1	R702	WALSIN TECHNOLOGY
WR12X000 PTL	RESISTOR	1	R840	WALSIN TECHNOLOGY
WR12X100 JTL	RESISTOR	1	R051	WALSIN TECHNOLOGY
WR12X752 JTL	RESISTOR	1	R701	WALSIN TECHNOLOGY
WR20X6R8 JTL	RESISTOR	1	R052	WALSIN TECHNOLOGY
SDS142WKF	DIODE	2	D752,D995	KODENSHI(HONG KONG)CO.,LTD.
SDS142WMF	DIODE	5	D003,D051,D052,D776,D991	KODENSHI(HONG KONG)CO.,LTD.
1N4002S	DIODE	12	D201,D716,D725,D771,D772, D773,D774,D775,D891,D892, D893,D982	GALAXY ELECTRICAL(CHANGZHOU) CO.,LTD.
1N5404 BL	DIODE	1	D701	GALAXY ELECTRICAL(CHANGZHOU) CO.,LTD.
1SS357	DIODE	1	D279	GALAXY ELECTRICAL(CHANGZHOU) CO.,LTD.
SB140	DIODE	1	D713	GALAXY ELECTRICAL(CHANGZHOU) CO.,LTD.
SR240S	DIODE	1	D751	GALAXY ELECTRICAL(CHANGZHOU) CO.,LTD.
SdT05S	ZENER DIODE	2	D251,D351	KODENSHI(HONG KONG)CO.,LTD.
SDZ5V6AWA	ZENER DIODE	3	D971,D972,D973	KODENSHI(HONG KONG)CO.,LTD.
SDZ6V2D	ZENER DIODE	1	D974	KODENSHI(HONG KONG)CO.,LTD.
UDZSTE 173.6B	ZENER DIODE	2	D955,D956	ROHM SEMICONDUCTOR HONG KONG CO.,LTD.
STA124S	TRANSISTOR	1	Q871	KODENSHI(HONG KONG)CO.,LTD.
STD123AS	TRANSISTOR	1	Q755	KODENSHI(HONG KONG)CO.,LTD.
2SD2114	TRANSISTOR	2	Q732,Q752	GALAXY ELECTRICAL(CHANGZHOU) CO.,LTD.
RT1N141C T112 1	TRANSISTOR	1	Q852	OKAYA
RT1N151C T112 1	TRANSISTOR	1	Q726	OKAYA
RT1N441C T112 1	TRANSISTOR	1	Q531	OKAYA
RT1P141C T112 1	TRANSISTOR	2	Q251,Q851	OKAYA
RT1P241C T112 1	TRANSISTOR	1	Q754	OKAYA
RT1P440C T112 1	TRANSISTOR	1	Q771	OKAYA
RT3Y97M T111 1	TRANSISTOR	1	Q262	OKAYA
HX1168 11800	INDUCTOR	1	L701	HUIZHOU XINWANG ELECTRONIC CO.,LTD

MAIN PWB ASSY PARTS LIST

PARTS NO.	PARTS NAME	QTY	PLACEMENT NUMBER	MAKER
4370 1132 TN	INDUCTOR	1	L056	DHK
HK160827NJ T	INDUCTOR	1	L051	FUJIDEN (T/T30 USD)
HK160839NJ T	INDUCTOR	1	L052	FUJIDEN (T/T30 USD)
LAP02TA100K	INDUCTOR	2	L201,L893	FUJIDEN (T/T30 USD)
LAP02TA150K	INDUCTOR	1	L055	FUJIDEN (T/T30 USD)
LAP02TA2R2K	INDUCTOR	2	L891,L892	FUJIDEN (T/T30 USD)
LK16084R7M T	INDUCTOR	1	L054	FUJIDEN (T/T30 USD)
IMSA 9616S 17Y938	CONNECTOR 17P	1	CN801	FHK
CVJ25 16WL15A	CONNECTOR 16P	1	CN701	JAM HONG KONG
LPR1020 0600FM	RCA JACK 2P	1	CN250	SMK TRADEING (H.K.)
2TK032761CVNBFF0	QUARTZ CRYSTAL	1	XL602	WLIC
9SL4332015AFDTF0	QUARTZ CRYSTAL	1	XL501	WLIC
9SM1200018AFDTF0	QUARTZ CRYSTAL	1	XL802	WLIC
DCRHZP16.00A	QUARTZ CRYSTAL	1	XL601	TOKO
DCRHZP16.93A	QUARTZ CRYSTAL	1	XL801	TOKO
YKS11 0113N	ANTENNA TERMINAL	1	AT051	JALCO ELE.(HK)
RA 800M C6 Y	SERGE PROTECTOR	1	Z051	OKAYA HK
SR470K07DT11	VARISTOR	1	Z701	WALSIN TECHNOLOGY
JUMPER(L 10.0)	JUMPER(L 10.0)	1	D753	
JUMPER(L 15.0)	JUMPER(L 15.0)	7	AT001,AT002,AT003,AT004,L057, J101,J102	
JUMPER(L 5.0)	JUMPER(L 5.0)	1	J113	
JUMPER(L 6.0)	JUMPER(L 6.0)	5	L058,L501,L601,L602,J104	
JUMPER(L 6.5)	JUMPER(L 6.5)	1	L971	
WA04Y101 JTL	RESISTOR ARRAY	2	R640,R809	WALSIN TECHNOLOGY
WA04Y102 JTL	RESISTOR ARRAY	4	R627,R634,R645,R971	WALSIN TECHNOLOGY
WA04Y103 JTL	RESISTOR ARRAY	1	R821	WALSIN TECHNOLOGY
WA04Y104 JTL	RESISTOR ARRAY	1	R120	WALSIN TECHNOLOGY
WA04Y221 JTL	RESISTOR ARRAY	2	R211,R602	WALSIN TECHNOLOGY
WA04Y472 JTL	RESISTOR ARRAY	1	R676	WALSIN TECHNOLOGY
WA04Y473 JTL	RESISTOR ARRAY	7	R616,R617,R630,R641,R664, R665,R771	WALSIN TECHNOLOGY
7233 02 02 9	REGULATOR BRACKET	1		AIKAWA
7236 02 02 9	REAR PLATE 2P	1		AIKAWA
9B01 26 066 91	BIND SCREW 2.6X6.0	1		CUNJIN
9B10 26 086 91	BIND P TITE 2.6X8.0	1		CUNJIN
9B11 26 056 91	BIND S TITE 2.6X5.0	1		CUNJIN
0603B821K500CT	CAPACITOR(CERAMIC)	2	C509,C776	WALSIN TECHNOLOGY
WR06X681 JTL	RESISTOR	2	R646,R649	WALSIN TECHNOLOGY
WR06X472 JTL	RESISTOR	5	R502,R608,R615,R651,R772	WALSIN TECHNOLOGY
WR06X562 JTL	RESISTOR	8	R206,R256,R306,R652,R653, R871,R873,R881	WALSIN TECHNOLOGY
WR06X203 JTL	RESISTOR	2	R071,R072	WALSIN TECHNOLOGY
ISA1530AC1 T112 1R	TRANSISTOR	2	Q725,Q731	OKAYA
DF20 S	CONNECTOR 20P	1	CN971	SUNG KYUNG PRECISION
MX E210(80 2290)	TUNER PACK	1	PA051	HUNCHUN XINTONG ELECTRONICS
JUMPER(L 12.5)	JUMPER(L 12.5)	1	J105	
MNBE16YTAUB	CD/USB DSP	1	IC601	PANASONIC
MN66279462TC	SYSTEM μ .COMPUTER	1	IC801	PANASONIC
7238 02 11	MAIN PWB	1		KYOSHA

DISPLAY PWB ASSY PARTS LIST

PARTS NO.	PARTS NAME	QTY	PLACEMENT NUMBER	MAKER
LC75857W UMSE TLM E	LCD DRIVER	1	IC901	SANYO SEMICONDUCTOR(H.K.)
0603B104K160CT	CAPACITOR(CERAMIC)	1	C921	WALSIN TECHNOLOGY
0603B681K500CT	CAPACITOR(CERAMIC)	1	C904	WALSIN TECHNOLOGY
0603X105K100CT	CAPACITOR(CERAMIC)	3	C901,C902,C903	WALSIN TECHNOLOGY
0805B102K500CT	CAPACITOR(CERAMIC)	1	C951	WALSIN TECHNOLOGY
WR06X000 PTL	RESISTOR	1	R951	WALSIN TECHNOLOGY
WR06X102 JTL	RESISTOR	2	R909,R916	WALSIN TECHNOLOGY
WR06X103 JTL	RESISTOR	3	R901,R902,R903	WALSIN TECHNOLOGY
WR06X222 JTL	RESISTOR	1	R918	WALSIN TECHNOLOGY
WR06X433 JTL	RESISTOR	1	R904	WALSIN TECHNOLOGY
WR06X471 JTL	RESISTOR	1	R915	WALSIN TECHNOLOGY
WR06X4R7 JTL	RESISTOR	1	R919	WALSIN TECHNOLOGY
SDS142WMF	DIODE	2	D906,D907	KODENSHI(HONG KONG)CO.,LTD.
SDT05H	ZENER DIODE	2	D902,D903	KODENSHI(HONG KONG)CO.,LTD.
SDZ5V6AWA	ZENER DIODE	2	D901,D910	KODENSHI(HONG KONG)CO.,LTD.
BZT52C12S	ZENER DIODE	1	D942	GALAXY ELECTRICAL(CHANGZHOU)CO.,LTD.
BZT52C6V2S	ZENER DIODE	1	D904	GALAXY ELECTRICAL(CHANGZHOU)CO.,LTD.
KLB 16G	LED	1	D932	KODENSHI(HONG KONG)CO.,LTD.
SML D12P8WT86(K/L/M)	LED	11	D921,D922,D923,D924,D925,D926,D927,D928,D929,D930,D931	ROHM SEMICONDUCTOR HONG KONG CO.,LTD.
SMLX14WBETW1	LED	1	D941	ROHM SEMICONDUCTOR HONG KONG CO.,LTD.
EC12D1524403	SWITCH	1	SW901	ALPS
JIC TR012424DN	LCD	1	LD901	EXCEL DEVICE(HK)LTD.
CU01SAV1S0A L	USB JACK	1	CN951	CVILUX
WA04Y102 JTL	RESISTOR ARRAY	1	R917	WALSIN TECHNOLOGY
WA04Y473 JTL	RESISTOR ARRAY	2	R971,R972	WALSIN TECHNOLOGY
7236 05 01	OPT LEADER	1		UNIPOWER
7231 05 02	LCD BRACKET	1		AMTEK
7236 05 02	CONTACT RUBBER SW	1		POLYMATECH
7234 05 02	DIFFUSIBLE SHEET	1		KANSAI FELT
7231 05 05	RUBBER CONNECTOR	1		GIANT POWER ENTERPRISE CO.,LTD.
7233 05 01	USB HOLDER	1		SUNFUL INTERNATIONAL LTD.
0603B472K500CT	CAPACITOR(CERAMIC)	1	C905	WALSIN TECHNOLOGY
DLW21SN371SQ2L	INDUCTOR	1	L901	OHTORI HONG KONG LIMITED
WR12X331 JTL	RESISTOR	1	R941	WALSIN TECHNOLOGY
WR08X471 JTL	RESISTOR	3	R921,R922,R923	WALSIN TECHNOLOGY
WR08X751 JTL	RESISTOR	1	R924	WALSIN TECHNOLOGY
WR08X432 JTL	RESISTOR	1	R925	WALSIN TECHNOLOGY
DF20 P	CONNECTOR 20P	1	CN901	SUNG KYUNG PRECISION
7238 05 11	DISP PWB	1		HDK
EJ363D5A0BB0 69B	MINI JACK	1		WELL LONG ELECTRIC COMPONENTS LIMITED



PARTS LIST

No.	PARTS No.	PARTS NAME	Q'TY	SECTION
1	3032 01 55	FRAME RM	1	E 4
2	3032 01 44	TOP COVER MA	1	A 4
3	3032 01 15	DAMPER F	2	E 3
4	3032 01 16	DAMPER R	1	D 4
5	3032 01 28	AR SHEET	1	A 3
6				
7				
8				
9				
10				
11	3037 05 501	CHASSIS RIVET S ASS'Y	1	B 2
12	3032 05 504	CHANGE PLATE RIVET ASS'Y (M)	1	C 4
13	3032 05 301	CLAMPER ASS'Y	1	B 3
14	3037 05 301	SPINDLE MOTOR (M) ASS'Y	1	D 1,E 1
15	3037 05 02	CLAMPER ARM S	1	B 4
16	3032 05 03	CHANGE GEAR SPRING	1	D 4
17	3032 05 05	CHANGE GEAR 2	1	D 4
18	3032 05 06	FEED GEAR	1	D 3
19	3037 05 05	FEED RACK S	1	B 1
20	3032 05 53	CHANGE LOCK LEVER M	1	D 3
21				
22				
23	3032 05 13	CLAMPER SUB SPRING	1	B 3
24	3037 05 07	FD SUB HOLDER S	1	B 1
25	3032 05 44	TOP PLATE D	1	B 2
26	3032 05 19	SELECT LOCK ARM	1	A 1
27	3032 05 61	TRIGGER ARM M	1	C 4
28	3032 05 21	SLIDE HOOK	1	C 4
29	3035 05 55	PU SHAFT	1	B 1
30	3032 05 59	CLAMPER ARM SPRING M	1	B 4
31	3032 05 26A	SELECT LOCK ARM SPRING	1	A 1
32	3032 05 62	SUSPENSION SPRING MS	4	B 3,C 1 · 4,D 2
33	3032 05 64	SELECT ARM R (M2)	1	A 2
34	3032 05 30	LINK PLATE	1	A 2
35	3032 05 36	LINK PLATE SPRING S	1	A 2
36	3037 05 08	CUSHION F	1	B 1
37	3037 05 09	CUSHION R	1	B 4
38	3032 05 63	FEED SPR PLATE M	1	C 2
39	3037 05 03	PU SHAFT HOLDER SA	1	B 1
40	3037 05 04	PU SHAFT HOLDER SB	1	B 2
41	3037 05 10	CUSHION RL	1	B 4
42	3037 05 11	CUSHION FR	1	B 2
43	3032 08 03	SELECT PLATE L	1	A 1
44	3032 08 04	SELECT PLATE R	1	A 2
45	3032 08 05	SELECT PIECE L	1	A 1
46	3032 08 06	SELECT PIECE R	1	A 2
47				
48				
49				
50				
51				
52				
53				
54				
55				
56				
57				
58				
59				
60				
61	6905 16 01	PICK UP SF C250	1	B 1
62	6401 04 22	DET SW P389 00	1	C 1
63				
64				
65				
66				
67				
68				
69				
70				

PARTS LIST

No.	PARTS No.	PARTS NAME	Q'TY	SECTION
71				
72	3032 10 02	MODE SW	1	A 1
73	3037 10 06	LD WIRE(AL)	1	B 3,C 1
74	3037 10 01	MODE SW WIRE (S)	1	A 1
75	3037 10 07	REST SW WIRE(AL)	1	C 1
76				
77	3032 10 13	WIRE CLAMPER M	4	C 2,C 3,D 4,E 3
78	3032 10 28	WIRE TUBE SPM	2	D 2
79	3032 10 29	WIRE TUBE MSW	1	A 1
80				
81	3032 11 307	ROLLER SHAFT ASS'Y	1	E 2
82	3032 11 501	LOADING GEAR PLATE RIVET ASS'Y	1	D 2
83	3032 11 302	LOADING PLATE ASS'Y	1	C 4
84	3032 11 506	LOCK ARM RIVET ASS'Y (RV)	1	E 1
85	3037 11 301	LOADING/FEED MOTOR ASS'Y (M)	1	B 3
86	3032 11 01	LOADING GEAR 1	1	D 4
87	3032 11 02	LOADING GEAR 2	1	D 3
88	3032 11 03	LOADING GEAR 3	1	D 3
89	3032 11 04	LOADING GEAR 4	1	D 2
90	3032 11 05	LOADING GEAR 5	1	D 2
91	3032 11 06	LOADING GEAR 6	1	D 2
92	3032 11 07	LOADING GEAR 7	1	D 3
93	3032 11 49	ROLLER GUIDE (N)	2	D 1,E 3
94	3032 11 14	ROLLER GUIDE SPRING	2	D 1,E 1
95	3032 11 53	DISC STOPPER ARM (N)	1	C 1
96	3032 11 17	DISC STOP ARM SPRING	1	D 2
97	3032 11 18	LD GEAR BRACKET	1	D 2
98	3032 11 25	L SLIDE PLATE	1	D 4
99	3032 11 31	LOADING PLATE SPRING	1	C 4
100	3037 11 04	LDG ROLLER (C)	2	D 1
101	3032 11 43	COLLAR SCREW	1	E 1
102	3032 11 42	LOCK ARM SP	1	E 1
103				
104				
105				
106				
107				
108				
109				
110	9P04 20 061	TAPPING SCREW 2×6	1	C 1
111	9P04 20 031	TAPPING SCREW 2×3	5	A 3,B 3 · 4,D 2,E 4
112	9P04 20 041	TAPPING SCREW 2×4	2	B 1,B 2
113	9B03 20 041	TAPPING BIND SCREW 2×4	1	D 2
114	9C01 17 183	CAMERA SCREW 1.7×1.8	2	B 2
115	9C01 20 203	CAMERA SCREW 2×2	1	C 3
116	9C45 17 503	CAMERA TAPPING SCREW P3 M1.7×5	1	C 1
117				
118				
119				
120				
121	9W01 30 170	PW 3.5×8×0.3	1	D 4
122	9W26 20 010	SUS W2.05×4.2×0.2	1	D 1
123	9W07 10 070	LUMILAR WASHER 3.1×6×0.1	1	D 1
124	9E01 00 152	E RING S 1.5	1	D 4
125	9W01 13 020	PW 2.1×4×0.13	1	D 3
126				
127				
128				
129				
130				
131				
132				
133				
134				
135				
136				
137				
138				
139				
140				